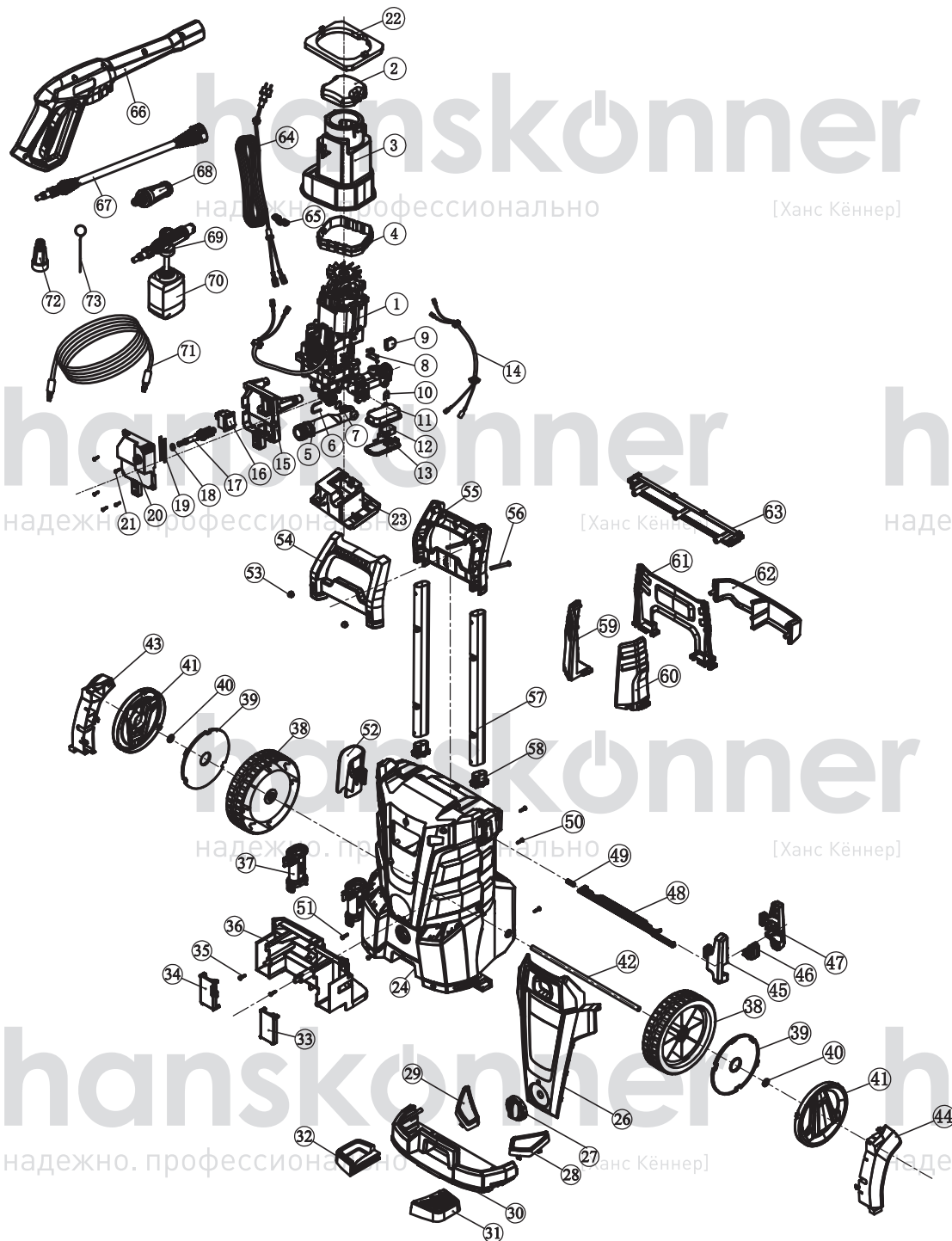


MOTOR AND PUMP FOR HPW9225

No.	DESCRIPTION	No.	DESCRIPTION
1	AC MOTOR	26	UNLOADER VALVE
2	LOWER BEARING	27	O-RING
3	TRANSMISSION SHAFT	28	O-RING
4	GEAR	29	VALVE BODY
5	NEEDLE BEARING	30	BOLT
6	THRUST NEEDLE ROLLER BEARING PAD	31	O-RING
7	SWASH PLATE	32	BACK-PRESSURE VALVE
8	UPPER BEARING	33	SPRING
9	SPRING PLATE	34	O-RING
10	SPRING	35	OUTLET PIPE
11	PISTON	36	BOLT
12	O-RING	37	HEXAGON BOLT
13	PISTON GUIDE	38	HEXAGON BOLT
14	OIL SEALING	39	HEXAGON BOLT
15	WASHER	40	FLAT GASKET
16	WATER SEALING	41	HEXAGON BOLT
17	PUMP HEAD	42	GASKET
18	CHECK VALVE	43	HEXAGON BOLT
19	O-RING	44	NUT
20	INLET GASKET		
21	O-RING		
22	INLET BODY		
23	M-RING		
24	O-RING		
25	YIELDING WATER BODY		

HPW9225-EX-2020111701



HPW9225

No.	DESCRIPTION	PEC.	No.	DESCRIPTION	PEC.
1	MOTOR PUMP ASS		44	RIGHT WHEEL EYEBROW	
2	STATOR CLIP		45	BOBBIN CATCH COVER	
3	MOTORCOVER		46	FLEX HAULM BUTTON	
4	TARPAULIN		47	BOBBIN CATCH	
5	INLET		48	LIMIT TO BAFFLE	
6	INLET BOLT	15.5X20.2-Φ2	49	LIMIT TO BAFFLE RETURN SPRING	
7	O-RING	12.5X1.8	50	SCREW	
8	JUMP RING	Φ2X16X32	51	SCREW	
9	BUTTON		52	GUN CONVENTION	
10	BOLT		53	NUT	M6
11	SWITCH COVER		54	HANDLE COVER	
12	MICRO-SWITCH		55	HANDLE	
13	SWITCH BRACKET		56	SCREW	M6X50
14	AUTO STOP WIRE		57	ROD	Φ21X38X384
15	SWITCH BOX		58	ROD PLUG	
16	MAIN SWITCH		59	NIP CANAL ENGINEERY(LEFT)	
17	SWITCH KNOB SHAFT		60	NIP CANAL ENGINEERY(RIGHT)	
18	O-RING	Φ7.5X1.8	61	NIP CANAL ENGINEERY COVER BOARD	
19	SPRING PLATE	0.6X6X49	62	ACCESSORIES CARCASE	
20	SWITCH BOX COVER		63	BIG PEDESTAL COVER BOARD	
21	SCREW	ST3	64	POWER CORD	
22	SEPARATE WIND BAFFLE		65	EUROPE-FLAKE OF IMPACTION STRING	
23	PUMP HEAD ROOT BLOCK		66	PRESSURE GUN	
24	HOUSING		67	WAND	
26	FRONT ORNAMENT COVER		68	PLUG THE SPRINKLER	
27	SWITCH KNOB		69	SOAP FLUID BOTTLE TIE-IN	
28	COVER ORNAMENT COVER (RIGHT)		70	SOAP FLUID BOTTLE	
29	COVER ORNAMENT COVER (LEFT)		71	HIGH PRESSURE HOSE	
30	BIG PEDESTAL		72	CONNECTOR MODULE	
31	UNDERSIDE PLANK		73	CLEANSING NEEDLE	Φ0.8
32	BIG PEDESTAL GUNSTOCK				
33	SEPARATE WIND COVER BOARD (RIGHT)				
34	SEPARATE WIND COVER BOARD (LEFT)				
35	SCREW	ST4X20			
36	HOUSING UNDERSIDE COVER BOARD				
37	CANAL CONVENTION				
38	BIG WHEEL				
39	BIG WHEEL MOSAIC				
40	WHEEL BLOCK	Φ9.5			
41	BIG WHEEL COVER BOARD				
42	WHEEL AXES	Φ10			
43	LEFT WHEEL EYEBROW				

HPW9225-EX-2020111701